

OM-40MSS 3 Shelves, Self Contained Stainless Steel Finish



**LOW PROFILE
MULTI-DECK
OPEN MERCHANDISERS**

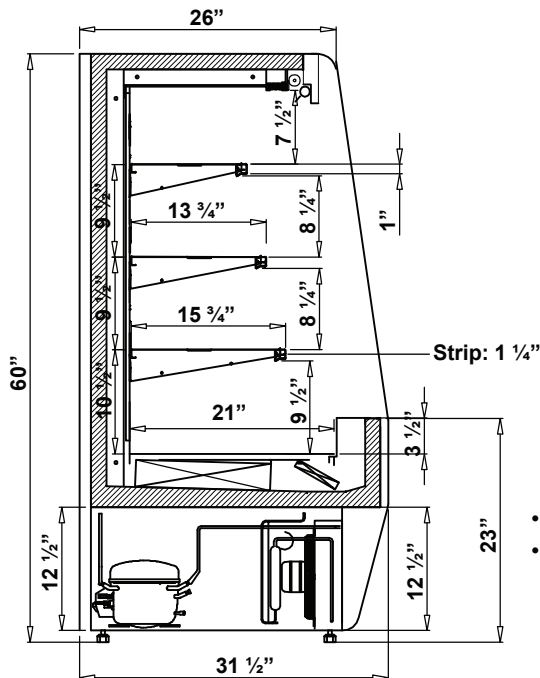
Standard features

- Self contained
- Dynamic cooling system
- Stainless steel finish
- Price strips - color selection available
- LED lights on all shelves
- Curtain cover
- Display shelves (height/angle adjustable)
- Adjustable legs
- Electronic programmable thermostat
- Digital temperature display
- Auto defrost system

Options

- Option of multiplexing
- Remote compressor

Technical Drawings



Dimensions

Model	Dimension W x D x H	Weight (lbs / kg)
OM-40MSS4	51 1/2" x 31 1/2" x 60"	—
OM-40MSS5	63 1/2" x 31 1/2" x 60"	—
OM-40MSS6	77 1/4" x 31 1/2" x 60"	—
OM-40MSS8	101 3/4" x 31 1/2" x 60"	—

* Customizable options available

* Multiple sizes available

Voltage

- OM-40MSS4,5 : 115V, 1ph, 60 Hz, 15A, max. fuse: 20A
- OM-40MSS6,8 : 115V/ 220V, 1ph, 60 Hz, 11A, max. fuse: 15A

* Specifications are subject to change without notice.

**All measurements are approximates.

***All equipment are designed to operate in a controlled environment below 75°F (+24°C) temperature and HR 55% relative humidity.